

# VERSALIFT VDT-170-F

Chassis mounted telescopic platform



MAN TGL / Mercedes Atego  
(7,490 kg GVW)



PTO driven hydraulic  
pump



FPC controls with up to  
4 actions at a time



Knuckle/turret tailswing  
within the mirrors

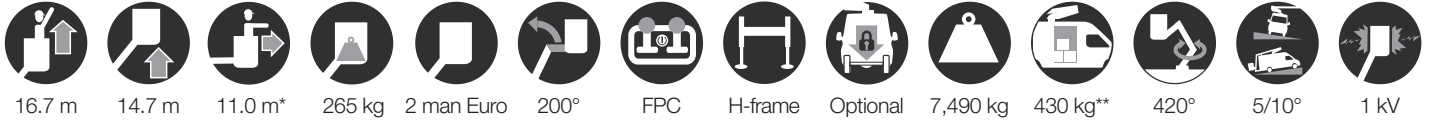


Outriggers within the  
mirrors



1 kV certified low  
voltage insulation

## Available specifications



## Dimensions

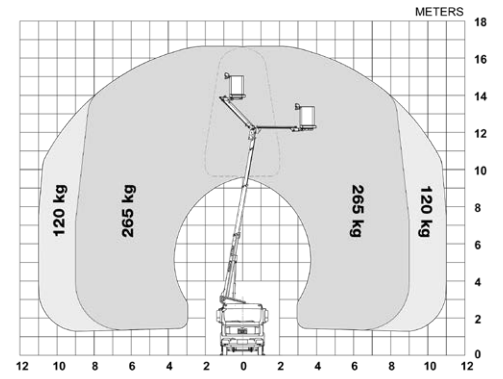


**Length:** 7,730 mm      **Height:** 3,200 mm      **Wheelbase:** 3,600 mm

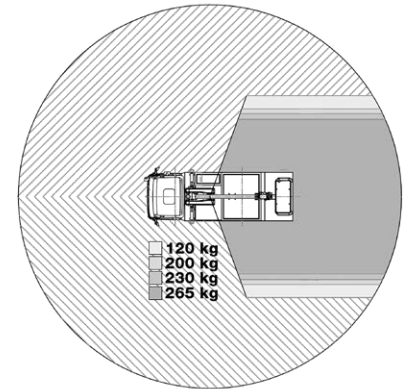
## Additional equipment

- Hydraulic axle locking system
- Cabinets for the chassis
- Workshop interior
- Bucket rotator (2 x 85°)\*\*\*
- Extended bucket (replaces standard bucket)
- Outrigger pads with holders
- Reversing camera
- Drive option (drive the vehicle with raised platform)\*\*\*\*
- Load cell (Variable load dependant outreach)
- Home function & limited working area without outriggers

## Diagramme(s)



Working envelope



Limited working area without outriggers (optional)

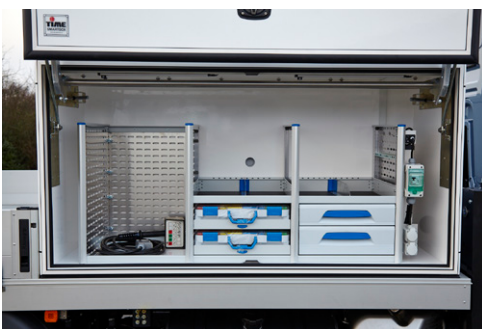
## Key features



Rear platform (bucket center stowed)



H-frame outriggers



Cabinets for the chassis (optional)



FPC (Full Proportional CANbus controls): Variable outreach (with load cell) and up to 4 actions at a time

## Notes

Technical information is subject to change without prior notice. Images may show optional equipment. Installations and/or options may not be available in your specific region.

\* Depending on the vehicle.

\*\* Max payload with a driver, a passenger and a full tank of fuel (290 kg added to the installation weight).

\*\*\* Reduced outreach and max 230 kg bucket capacity.

\*\*\*\* Requires the option "Limited working area without outriggers".

## Distributor

C656FB (Versalift VDT-170-F on MAN TGL / Mercedes Atego Chassis) - revision 2018/10

[www.TimeIntl.dk](http://www.TimeIntl.dk)