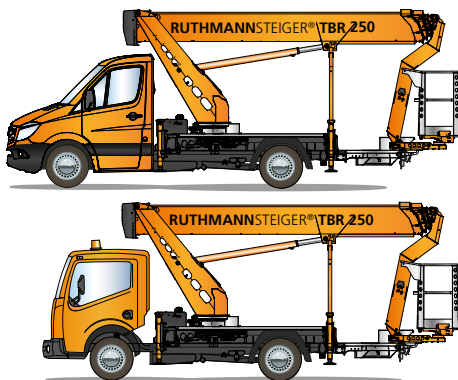


STEIGER® TBR 250



RUTHMANN STEIGER® TBR 250

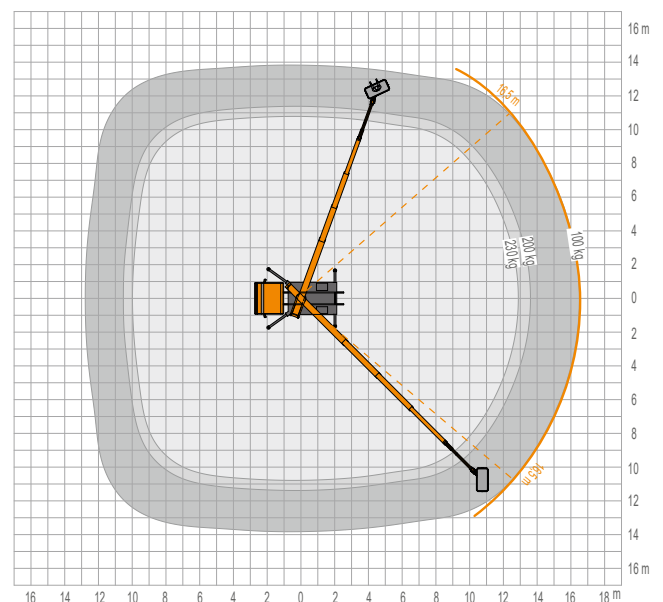
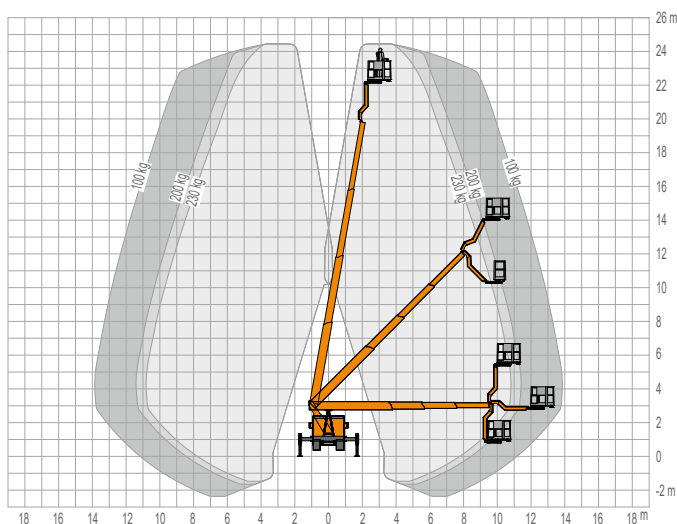
The new 25 m class on a 3.5 t truck

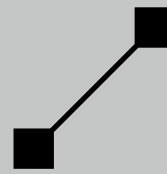


- 24.5 m working height
- 16.5 m lateral reach
- 185° jib (RÜSSEL®) swiveling range
- 230 kg work basket load capacity
- Interchangeable work basket system
- Diverse trucks on 3.5 t Euro 6 chassis
- Total vehicle length: 6.92 m
- Total vehicle height: 3.02 m
- 2 x 85° basket rotation
- Positioning at inclinations of up to 5°

To learn more visit: www.ruthmann.de/tbr250en

- COCKPIT: state-of-the-art control technology
- Multi-beveled boom made of high-strength, fine-grained steel with tower, which remains within the contours of the vehicle while swiveling
- Automatic set-up/retraction mechanism and memory function for storing the exact position of the work object





STEIGER® TBR 250

On the STEIGER® TBR 250, the “space-frame design” tower and multi-beveled telescopic boom have been further optimized. To compensate for the still heavier 3.5 t Euro 6 chassis, the overall weight had to be reduced without compromising sturdiness and rigidity.

Even with its steel boom system and movable jib (RÜSSEL), the TBR 250 is able to provide a remarkable 24.5 m working height. It can be driven by anyone with a valid B/3 passenger car driver's license.

The STEIGER® TBR 250 has a 230-kg basket load capacity, a 185° jib (RÜSSEL) swiveling range, and can be positioned on slopes of up to 5°. This model is an ideal substitute for aerial work platforms with similar working heights, mounted on much larger and heavier 7.49 t chassis. The TBR 250 has what it takes to carry out daily tasks with maximum efficiency.

The innovative boom system, with internal telescopic cylinders and power supply, provides an amazing 16.5 m lateral outreach at 100 kg basket load.

The 2 x 85° basket rotation mechanism and innovative slip-resistant aluminum floor and steps, have further enhanced the level of efficiency and safety of this STEIGER® model.

The TBR 250 also features a new, interchangeable work basket system. Operators can use either the aluminum or synthetic basket, depending on the assignment.

As with other models, there is a wide range of trucks to choose from. The TBR 250 can even be mounted onto 4-wheel drive chassis with greater payload capacity. The short wheelbase facilitates easy handling in cramped, inner-city traffic conditions.

Other notable features of the STEIGER® TBR 250 include: horizontal/vertical support mechanism (outriggers extended within the contours of the vehicle on one side only or both sides) and multi-motion operation (simultaneous lifting, swiveling, and telescoping). Set-up time is greatly reduced and operational speed has been maximized.

RUTHMANN's time-tested, ultra-modern control technology – incorporated in the COCKPIT – ensures easy, safe, and intuitive STEIGER® operation.

Sustainability is guaranteed through the many identical parts found on STEIGER® models in the TB/TBR series. This modular concept provides many advantages when it comes to maintenance, repair, and parts availability.

Contact us by phone, fax, or e-mail. Let us show you the amazing performance capabilities, uses, and advantages of our time-tested STEIGER® models.

A STEIGER® for Everyone:

- painters
- building façade cleaners
- gardeners/landscapers
- builders/contractors
- street light/traffic signal technicians
- municipal workers
- power providers
- etc.



RUTHMANNSTEIGER® TBR 250

	Working height	24.5 m		Total length	6.92 m
	Lifting height	22.5 m		Permissible angle of inclination	5°
	Outreach	16.5 m		Gross vehicle weight (GVW)	3.500 kg
	Work basket size	1,40 x 0,70 m		Range of rotation	450°
	Work basket load capacity	230 kg		Swivelling angle of the jib	185°
	Total height ≥	3.2 m		Driving Licence	B / 3

All measurements and weights are approximate and refer to the standard basic equipment. Technical alterations reserved. **STEIGER®**, **GELENKSTEIGER®**, **RÜSSEL®** and **CARGOLOADER®** are registered trademarks of **RUTHMANN GmbH & Co. KG**

Ruthmann GmbH & Co. KG
von-Braun-Str. 4 - 48712 Gescher-Hochmoor - GERMANY
Fon: +49 2863 204-0 - Fax: +49 2863 204-212
Internet: www.ruthmann.de - E-Mail: export@ruthmann.de